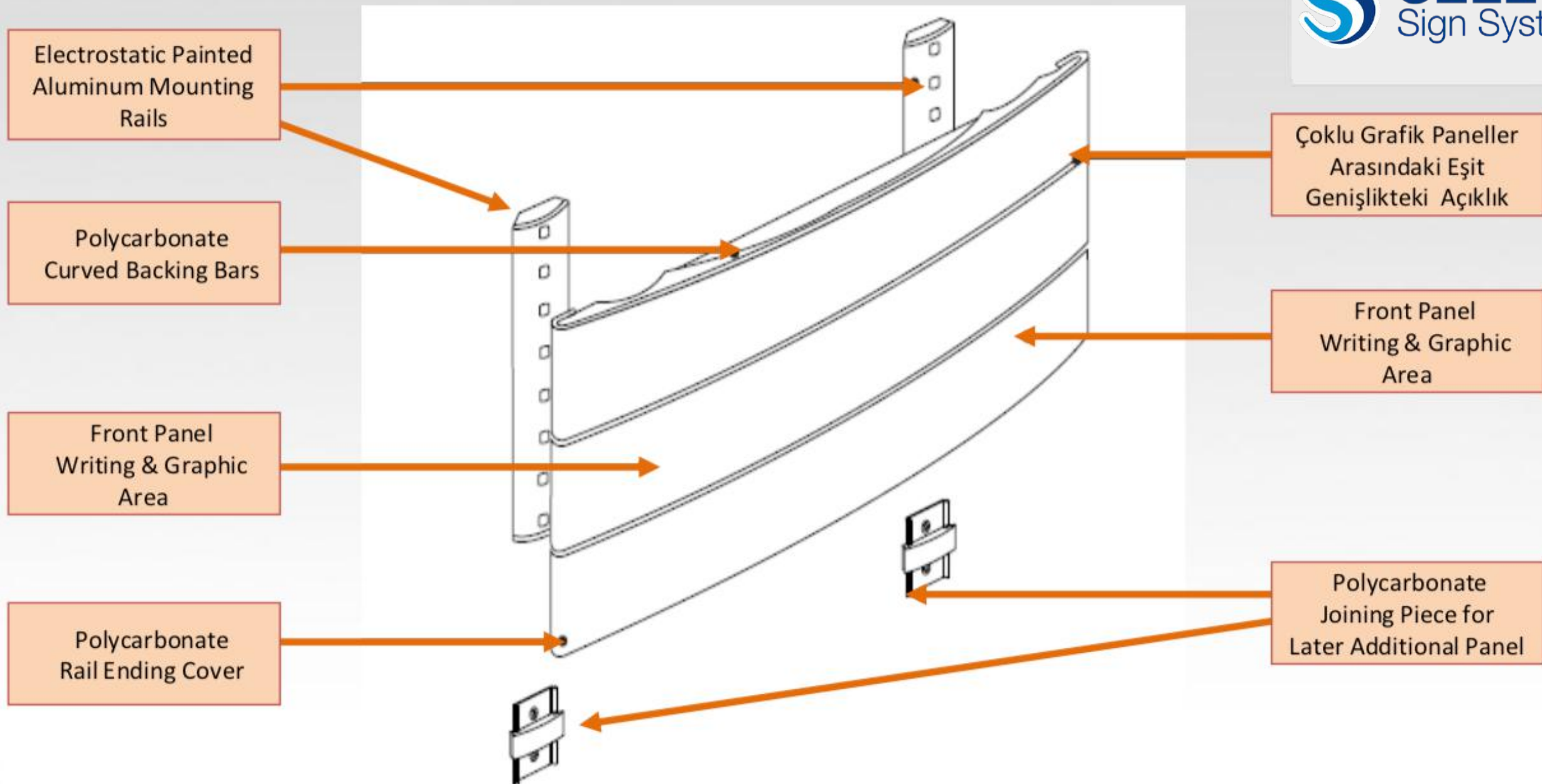
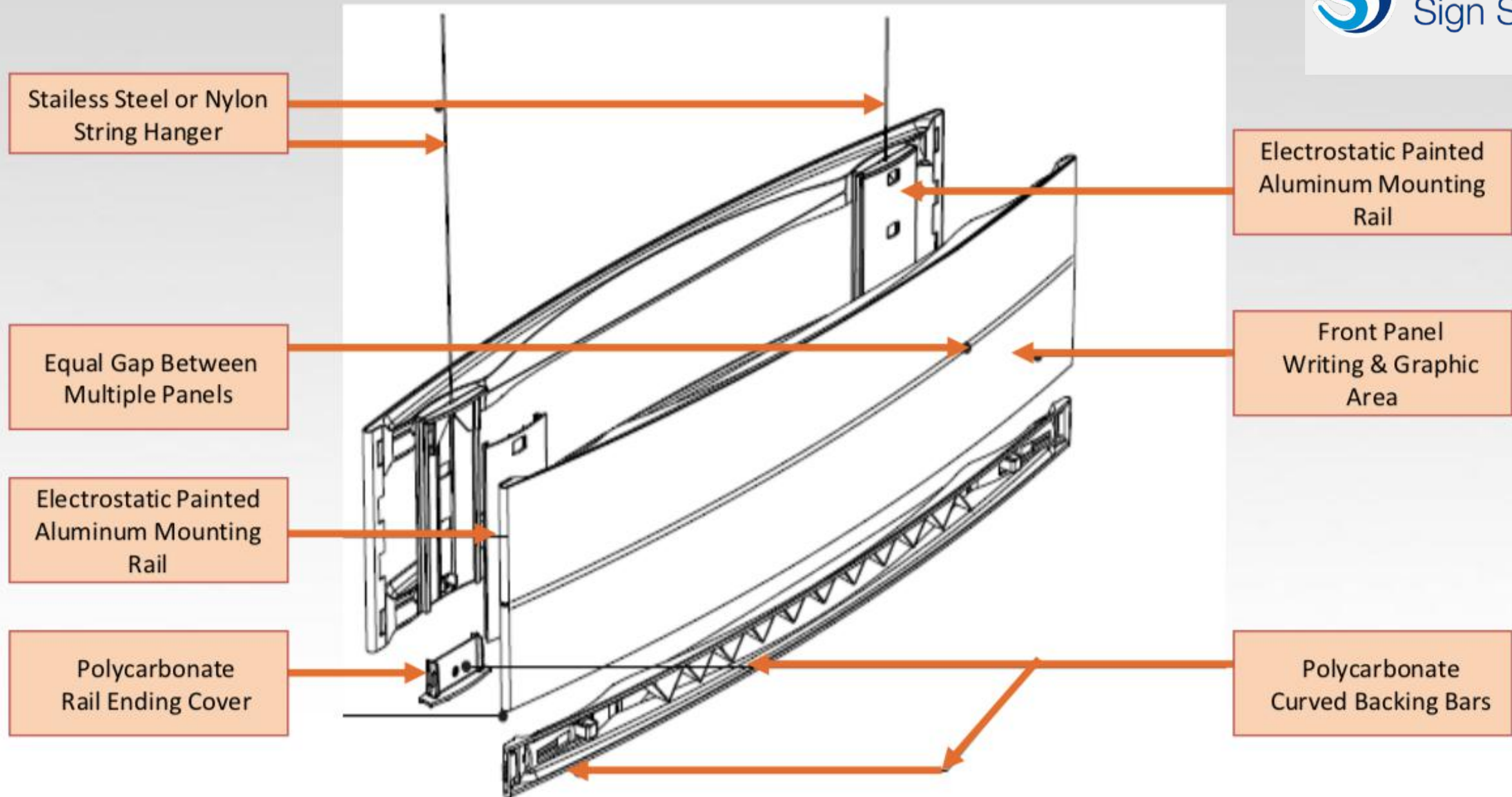


MODULAR CURVED SYSTEM (ONE-SIDED, WALL-MOUNTING)



Product Description :

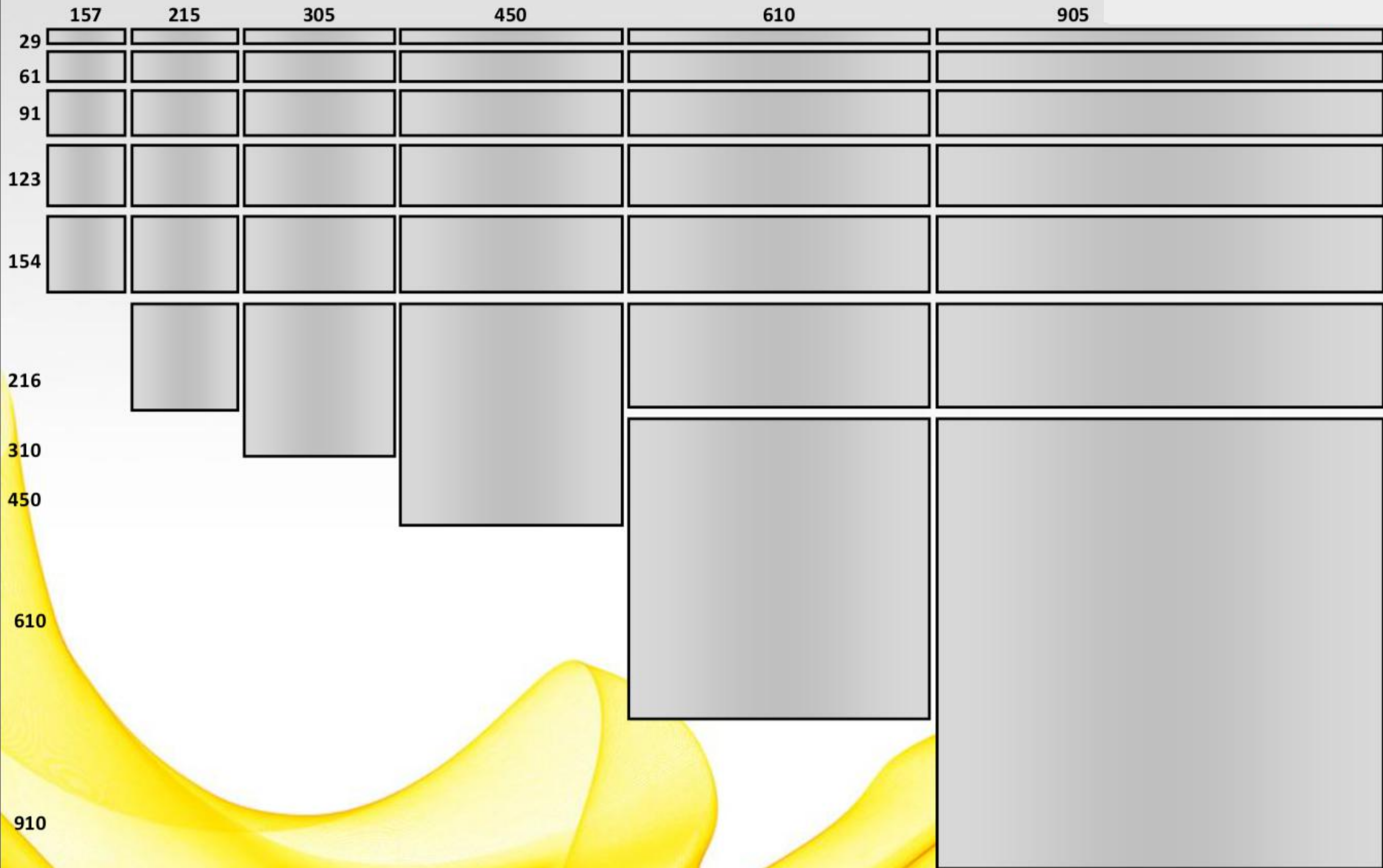
Description	: Modular Curved System is one sided, wall-mounted, wayfinding signage system that is completely modular with polycarbonate curved backing bars and has three different choices (a,b,c as described below) as panel face.
Panel Element	: a. Anodized Aluminum (0,80 mm +/- %5 tolerance) (Colorable) b. Stainless (0,50 mm) c. Brushed Aluminum (0.40 mm) Photopolymer layer (0.80 mm) (ADA-DDA compliant) (Colorable)
Backing Bars	: Polycarbonate.
Mounting Rail	: Aluminum (Electrostatic Painted)



Product Description :

- Description** : Modular Curved System is double sided, suspended, wayfinding signage system that is completely modular with polycarbonate curved backing bars and has three different choices (a,b,c as described below) as panel face.
- Panel Element** :
 a. Anodized Aluminum (0,80 mm +/- %5 tolerance) (Colorable)
 b. Stainless (0,50 mm)
 c. Brushed Aluminum(0.40 mm) Photopolymer layer (0.80 mm) (ADA-DDA compliant) (Colorable)
- Backing Bars** : Polycarbonate.
- Mounting Rail** : Aluminum (Electrostatic Painted)

FLAT & CURVED SYSTEM DIMENSIONS (MM)



Scale 1/10